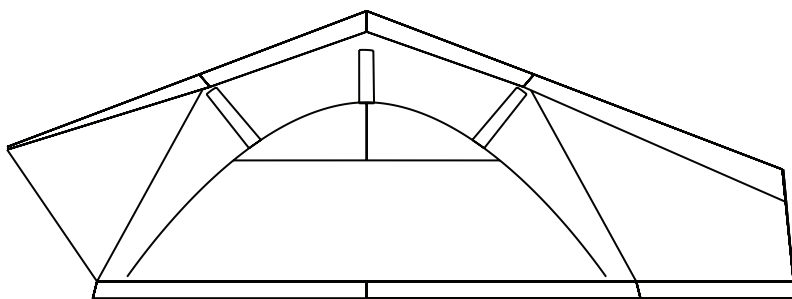




# BIRDSVILLE

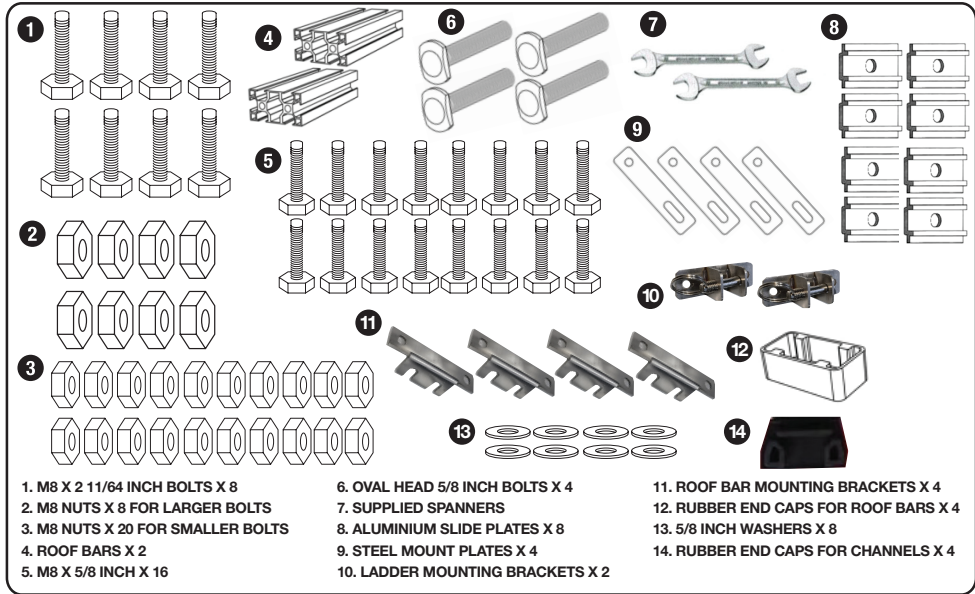
ROOFTOP TENT



OWNERS MANUAL

Part No. 10001064

# MOUNTING CONTENTS



1. M8 X 2 11/64 INCH BOLTS X 8

2. M8 NUTS X 8 FOR LARGER BOLTS

3. M8 NUTS X 20 FOR SMALLER BOLTS

4. ROOF BARS X 2

5. M8 X 5/8 INCH X 16

6. OVAL HEAD 5/8 INCH BOLTS X 4

7. SUPPLIED SPANNERS

8. ALUMINIUM SLIDE PLATES X 8

9. STEEL MOUNT PLATES X 4

10. LADDER MOUNTING BRACKETS X 2

11. ROOF BAR MOUNTING BRACKETS X 4

12. RUBBER END CAPS FOR ROOF BARS X 4

13. 5/8 INCH WASHERS X 8

14. RUBBER END CAPS FOR CHANNELS X 4

# SAFETY INFO AND MOUNTING INSTRUCTIONS

## **WARNING**

Incorrect installation or use of your rooftop tent could result in serious injury or death. Follow the installation instructions to ensure the rooftop tent is installed correctly. Follow the set up and pack down instructions carefully. It is recommended that you contact your vehicle and/or accessory manufacturer for specified loading and capacity of your vehicle's roof capacity and the rack capacity. Unfortunately, not all vehicles and roof racks can safely accommodate all models.

## **LOCATE MOUNTING LOCATIONS ON ROOF RACK**

Kakadu™ recommends this rooftop tent to be installed with 2-3 people. It is also recommended to use an experienced aftermarket 4X4 accessories fitter to mount the rooftop tent to your rack.

## MOUNTING YOUR LADDER

Turn the tent over so you have access to the side without the mounting rails. Very carefully remove the end plastic cap of the top channel and slide the four M8 bolts with the oval shaped heads in. Hold the ladder in position and place the mounting brackets in the correct position. Tighten the bolts and nuts on the bracket firmly to secure.

Attach the ladder to the brackets with the quick release pin system.

## MOUNTING ROOF BARS

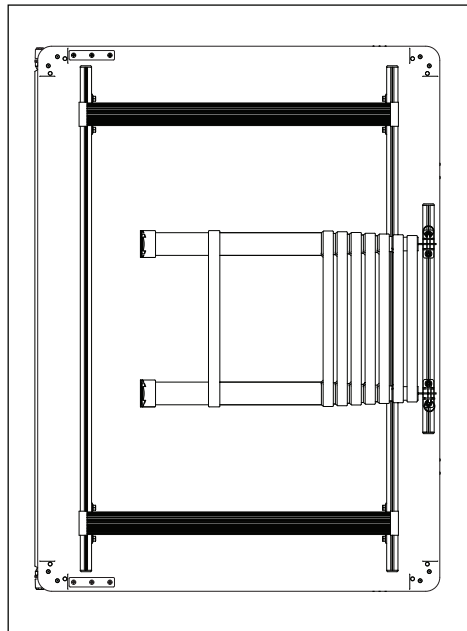
1. Very carefully remove the plastic end caps on the metal bars fitted to the tent then carefully slide in two M8 steel bolts on the inside track. Place the roof bar bracket over the top of the bolts then place the nut over the exposed part of the bolts. Tighten one bolt up approximately 3/4 tight in the area you want to mount the bars. Repeat this on the other side of the tent.

2. Slide the rubber cap over the end of each roof bar before installing onto brackets. Slide in four 5/8 inch M8 steel bolts into the underside of the roof bars and loosely attach the nuts. Position the bars sitting on top of the metal bracket and tighten nuts up once they're sitting underneath the opening of the bracket fitted to the tent bars. Repeat this on other side.

3. Tighten all eight nuts on both sides of the roof bar. Repeat this for second roof bar.

**TIP: Take notice of where the ladder will sit and don't mount roof bars in this area.**

**\*LADDER NEEDS TO BE REMOVED WHEN VEHICLE IS IN TRANSIT.**



## USING YOUR LADDER

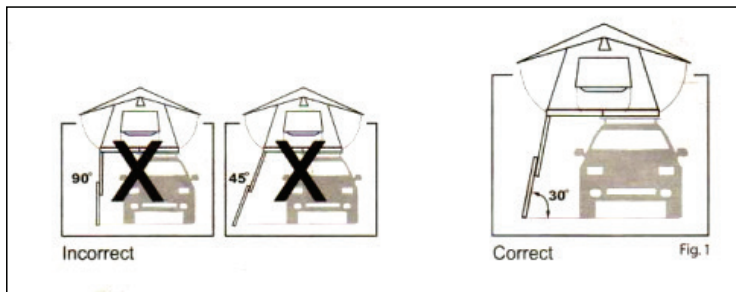
Do not use the ladder before reading the below points. For your own safety and to avoid any potential injury, ensure that the ladder placement and angle is correct. Review the below diagrams showing the correct angle to position the ladder. Failure to do this may result in injury. To achieve the correct angle, you may need to adjust the ladder's length. If this is required, the adjustment must be done from the top of the ladder. Ensure the ladder is fully extended and all rungs are locked into place. Once this is done, press the first set of locking buttons positioned second rung from the top. The ladder will then compress until a gap of approximately 1/2 inch - 3/4 inch is achieved between rung 1 and rung 2. If further shortening is required, press the second set of locking buttons which is positioned on the

third rung of the ladder. This will then close the previous gap between rung 1 and rung 2. Swing in the bottom of the ladder until the desired angle is reached. Review the below diagram before using the ladder.

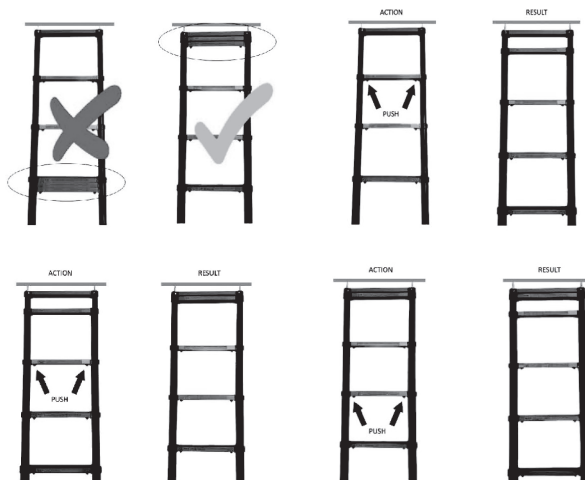
The ladder also acts as extra support and a brace for the rooftop tent when in use.

Please note: Review the measurement between where the ladder will sit on your car and the ground before use. If this exceeds 7ft 2.6 inches then you may need to purchase an aftermarket ladder to reach this length.

\*Ladder needs to be removed when car is in transit.



\*Note, images are for illustrative purposes only.

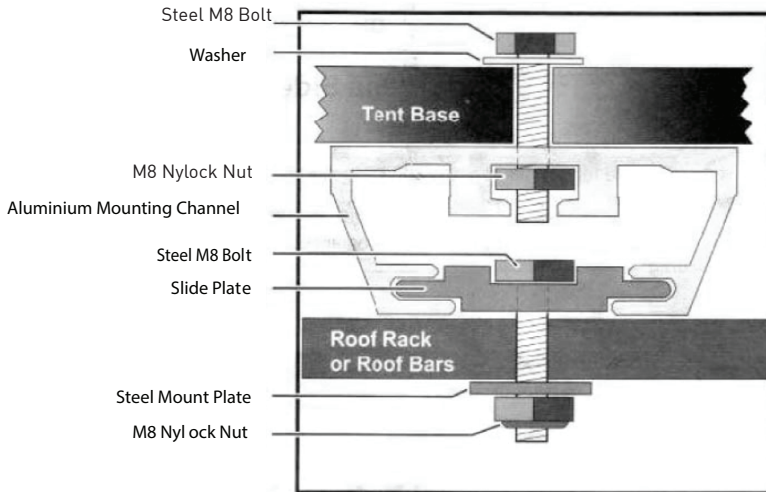


\*Note, images are for illustrative purposes only.

## MOUNTING TENTS TO ROOF RACK

These brackets have been carefully designed to fit most common roof rack configurations. However, the increasing amount of roof rack designs available in the market makes it difficult to supply a bracket to fit all racks.

It is recommended to discuss specific mounting options and load capacities with a roof rack specialist. There may be a chance you need to purchase aftermarket rooftop tent mounts from your roof rack manufacturer for customised set ups.



\*Note, images are for illustrative purposes only.

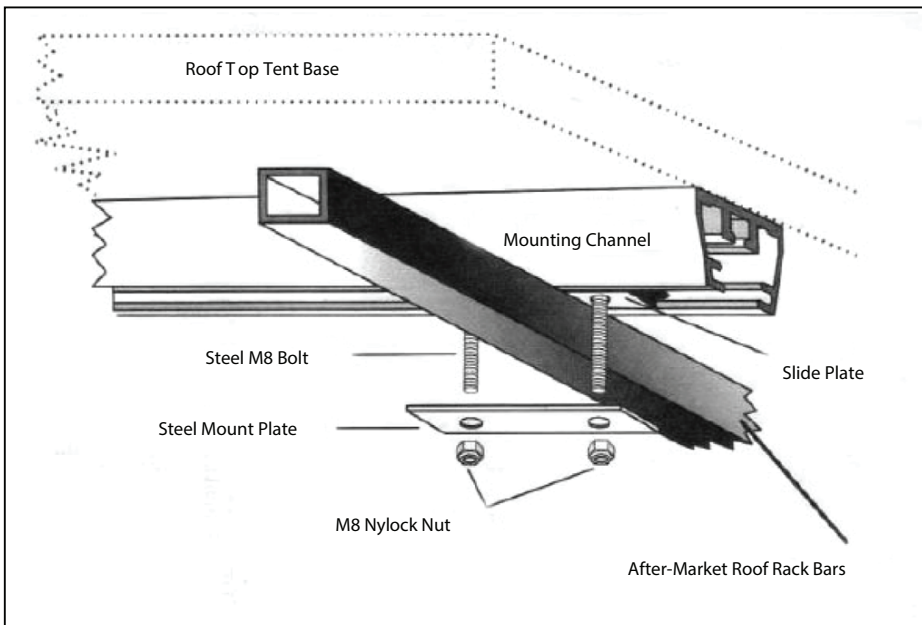


**PROLONGED TRAVELLING ON UNEVEN, ROUGH OR CORRUGATED TERRAIN WILL REQUIRE MORE FREQUENT INSPECTIONS**

**NOTE: Kakadu™ takes no responsibility for the fitment of the rooftop tent to any vehicle or roof rack.**

## FITTING THE TENT TO YOUR ROOF RACK

1. Place the rooftop tent on top of your roof rack system (min 2-3 people required).
2. Place the 2 11/64 inch steel M8 bolts into the slide plates ready for installation into the mounting channels. Slide the plates into positions either side of the roof rack system's bars.
3. Check the position of the rooftop tent and ensure that it's in the correct place.
4. Tighten the washers and nylock nuts with the supplied metal plate on all four positions as per the below diagram. Please note: It is important to regularly check all the mounting hardware to ensure they are securely attached to both the base of the tent and the roof rack system.
5. Once the tent is securely fitted, insert the rubber caps onto each end of the mounting channels.



\*Note, images are for illustrative purposes only.

## USING OPTIONAL ANNEXES

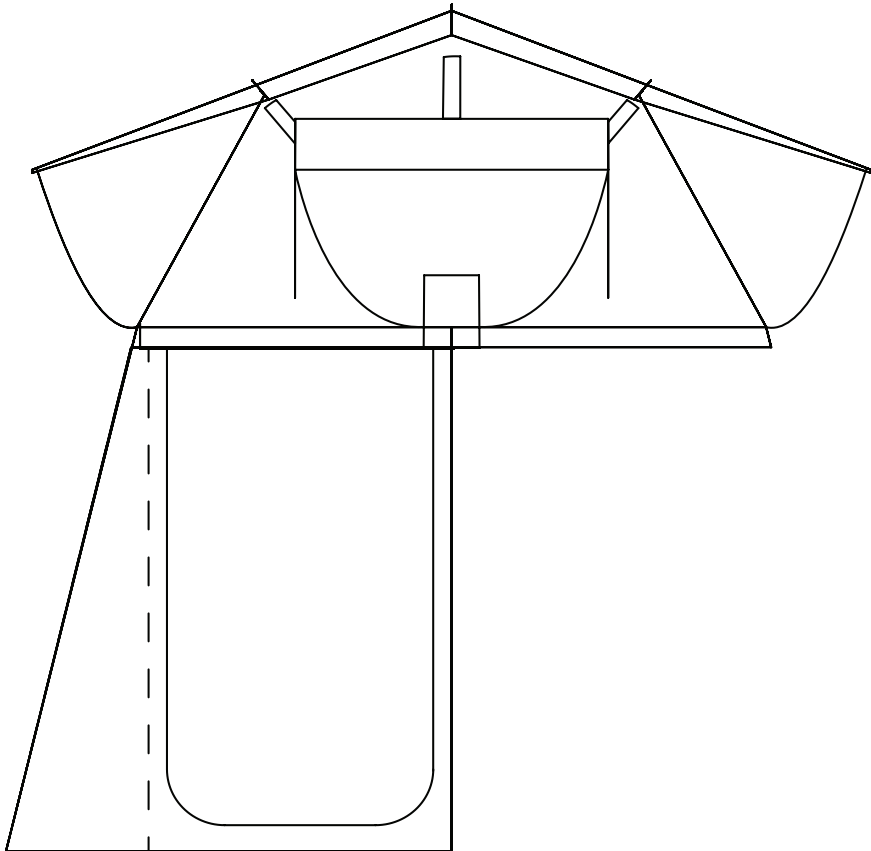
The Birdsville rooftop tent has an optional annex available to purchase and use.

1. Lay the annex out next to the correct position on the tent.
2. Feed the sail track through the side closest to the car. Then zip on the remaining sides onto the rooftop tent fabric until you reach the end.

**Note: You will need to have your window tension poles out for this. Then feed them through the gap in the zipper seam.**

3. Secure the annex down in the corners with the peg points.

**Note: IN WINDY CONDITIONS, WE DON'T RECOMMEND TO ATTACH THE ANNEXES AS PERSONAL INJURY AND PROPERTY DAMAGE MAY OCCUR. Kakadu™ TAKES NO RESPONSIBILITY FOR ANY DAMAGE INCURRED IF THE ABOVE ISN'T FOLLOWED**





## CLEANING

Clean with cold water and a soft bristle brush. Do not use soaps or detergents. Do not expose to petrol, diesel, oils or chemicals of any nature.

Failure to follow these instructions may impact the performance of your rooftop tent and cause damage.

## STORAGE

If you have to pack your rooftop tent up wet - it is essential that the rooftop tent is unpacked and allowed to dry fully as soon as possible. Failure to do so will result in damage to the rooftop tent fabric, waterproofing and may cause mildew.

Although the PVC cover material itself is waterproof, there is the chance of water ingress from the tent not being tucked in properly or the buckles not done up tight enough. We recommend to check the inside of the rooftop tent's bag to ensure no water has made its way in. If there is moisture, the rooftop tent needs to be allowed to dry out.

## STRUCTURE

Kakadu™ rooftop tents have been designed for general outdoor use under normal conditions. Always ensure that all ropes and pegs are attached and secured at all times.



**To avoid chances of personal injury and/or property damage, Kakadu™ highly recommends the rooftop tents should NOT be erected during windy conditions.**

**Damaged caused by wind and/or adverse weather will not be covered under warranty.**

## FITTING

Kakadu™ recommends this rooftop tent to be installed with 2-3 people. It is also recommended to use an experienced aftermarket 4X4 accessories fitter to mount the rooftop tent to your rack. All mounting hardware on both the rooftop tent and roof rack should be checked regularly to ensure they are always mounted securely.

**KAKADU**  
ROOFTOP TENT ACCESSORIES



**NOTE: Kakadu™ takes no responsibility for the fitment of the rooftop tent to any vehicle or roof rack.**

**Prolonged travelling on uneven, rough or corrugated terrain will require more frequent inspections**

The brackets have been carefully designed to fit most common roof rack configurations. However, the increasing amount of roof rack designs available in the market makes it difficult to supply a bracket to fit all racks. It is recommended to discuss specific mounting options and load capacities with a roof rack specialist.

## WATERPROOFING

The raw materials that have been used on this rooftop tent have been designed to withstand most weather events. The water repellent coating and sealed seams provide protection from bad weather. However, wind-driven rain can cause water ingress when windows and doors are open. We recommend to close all windows and doors in the case of bad weather. If you find that water is coming through a zipper, a softened wax stick can be used to rub over that area.

## USING THE OPTIONAL ANNEXES

The annexes available for purchase will provide a sheltered/protected area underneath the rooftop tent.

**Disclaimer:** Any addition applied onto the vehicle's roof changes the loading and handling of the vehicle. Kakadu™ disclaims all responsibility in the occurrence of accidents due to improper use, lack of maintenance and not ensuring the rooftop tent has been securely fitted. Kakadu™ shall not be liable for any damages whether they are special, indirect, incidental, accidental or consequential.

## **SAFETY WARNINGS**



**KEEP ALL FLAME AND HEAT SOURCES AWAY FROM THE FABRIC.**

**UNDER NO CIRCUMSTANCES SHOULD ANY NAKED FLAME SOURCES BE USED NEAR THE ROOFTOP TENT.**

**KEEP CAMP FIRES AWAY FROM THE ROOFTOP TENT.**

**KEEP A FIRE EXTINGUISHER OR WATER BUCKET NEARBY. WATCH FOR AIRBORNE BURNING EMBERS THAT MAY COME INTO CONTACT WITH THE ROOFTOP TENT OR ANNEX.**

**KEEP EXITS CLEAR.**

**IT IS ESSENTIAL TO USE ALL POLES, ROPES AND PEGS AT ALL TIMES WHEN THE TENT IS IN USE.**

**WATCH FOR GUY ROPES, PEGS AND STRAPS TO PREVENT INJURY AS THEY CAN BE A TRIP HAZARD.**

**ENSURE CHILDREN ARE SUPERVISED AROUND THE ROOFTOP TENT AT ALL TIMES.**

**DO NOT OPERATE ANY DEVICE WHICH BURNS FUEL INSIDE THE TENT OR ANNEX.**

## LIMITED WARRANTY

1. This warranty will apply only if you have purchased from us or our authorized dealer, and will apply only to the original purchaser who acquires the product for his or her own use.
2. **WARRANTY PERIOD:** we warrant that this product will be free from defects in materials and workmanship under normal use as described in the published product documentation for **36 months** and the integrated powerpack for **12 months** from the date of original purchase (Limited Warranty).
3. **WARRANTY:** You are entitled to a replacement or refund for a major failure and compensation for any other reasonably foreseeable loss or damage. You are also entitled to have the goods repaired or replaced if products fail to be of acceptable quality and the failure does not amount to a major failure.
4. To the extent permitted by any applicable local law:
  - a. Our obligations under this Limited Warranty are limited to the repair, replacement or refund of covered parts that prove defective under normal use during the Limited Warranty and does not extend to any claim for damages that you or any other person may have for any loss (including without limitation consequential damages or loss of profit, freight/shipping or travel costs), or damage howsoever caused whether or not such loss or damage arises as a result of any defect in the product or from the failure or omission on our part to comply with any obligation at law;
  - b. In replacing a defective product under the Limited Warranty, we may, at our discretion, substitute a model of equivalent nature where the exact model is unavailable;
  - c. This Limited Warranty does not apply to damage caused by failure and damage caused by improper use and abuse, fair wear and tear, accidents, misuse (including failure to follow instructions regarding care and maintenance of the product), neglect, disassembly, alterations or external causes such as, but not limited to, water damage, exposure to sharp objects, exposure to excessive force, anomalies in the electrical current supplied to the product (if applicable), and extreme thermal or environmental conditions;
  - d. We may elect, at our discretion and as an alternative to repairing or replacing a defective part, to refund the cost of the relevant product upon it being returned to us; and
  - e. This Limited Warranty does not extend to any products acquired for the purposes of re-supply, or for use in manufacturing, or repair processes.
5. This warranty may be claimed by: returning the product to its place of purchase, with a detailed proof-of-purchase clearly showing the date and detail of the purchase;
6. If you have any questions concerning this warranty policy, you may contact us in writing:  
Adventure Operations, 71 Charles Ulm Place, Eagle Farm, 4009, QLD, Australia, or by  
email: [service@adventureoperations.com](mailto:service@adventureoperations.com) or visit our website: [www.adventureoperations.com](http://www.adventureoperations.com)

TO THE EXTENT PERMITTED BY LAW, ADVENTURE TRADING AUSTRALIA PTY LTD, ITS SUBSIDIARIES AND ITS VENDORS DISCLAIM ANY IMPLIED WARRANTIES OF MERCHANTABILITY OR FITNESS FOR A PARTICULAR PURPOSE OR ANY SIMILAR STANDARD IMPOSED BY APPLICABLE LEGISLATION AND ADVENTURE TRADING AUSTRALIA PTY LTD AND ITS SUBSIDIARIES' RESPONSIBILITY TO REPAIR, REPLACE, OR OFFER A REFUND FOR DEFECTIVE PRODUCTS IS THE SOLE AND EXCLUSIVE REMEDY PROVIDED TO ITS CUSTOMERS UNDER THIS DOCUMENT.

Designed by:

**Adventure Trading Australia Pty Ltd**  
71 Charles Ulm Place,  
Eagle Farm, QLD 4009  
AUSTRALIA

Made in China

