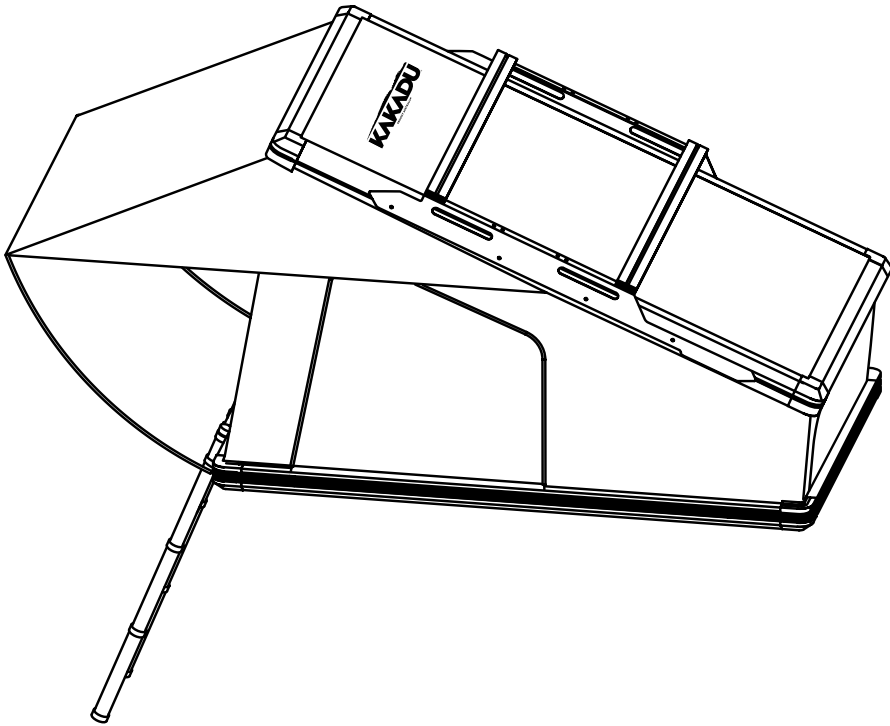




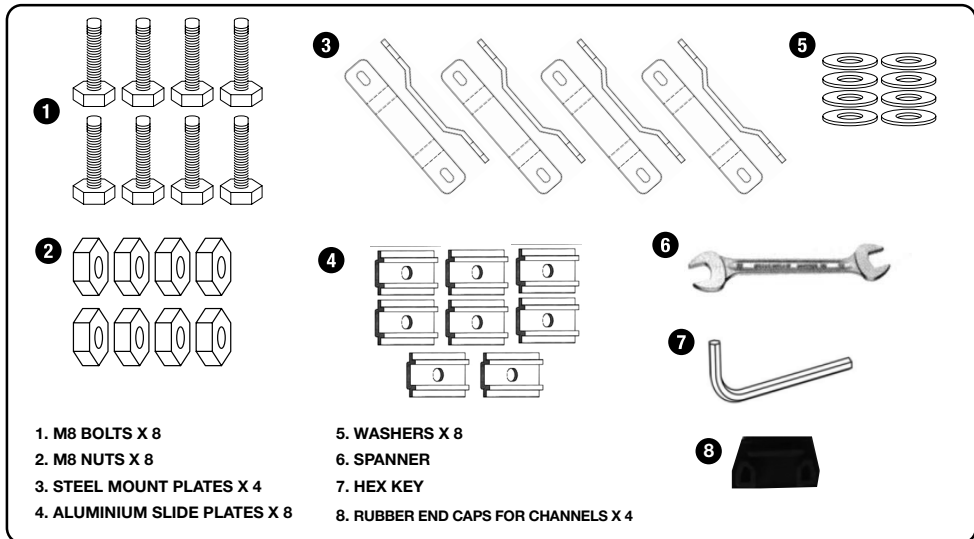
CANNING ROOFTOP TENT

A black silhouette of a landscape at the bottom of the page. It includes a tree, a dog, and some rocks.

OWNERS MANUAL

Part No. 10001066

MOUNTING CONTENTS



SAFETY INFO AND MOUNTING INSTRUCTIONS

WARNING

Incorrect installation or use of your roof top tent could result in serious injury or death. Follow the installation instructions to ensure the roof top tent is installed correctly. Follow the set up and pack down instructions carefully. It is recommended that you contact your vehicle and/or accessory manufacturer for specified loading and capacity of your vehicle's roof capacity and the rack capacity. Unfortunately, not all vehicles and roof racks can safely accommodate all models.

LOCATE MOUNTING LOCATIONS ON ROOF RACK

Kakadu™ recommends this roof top tent to be installed with minimum 4 people. It is also recommended to use an experienced aftermarket 4X4 accessories fitter to mount the roof top tent to your rack.

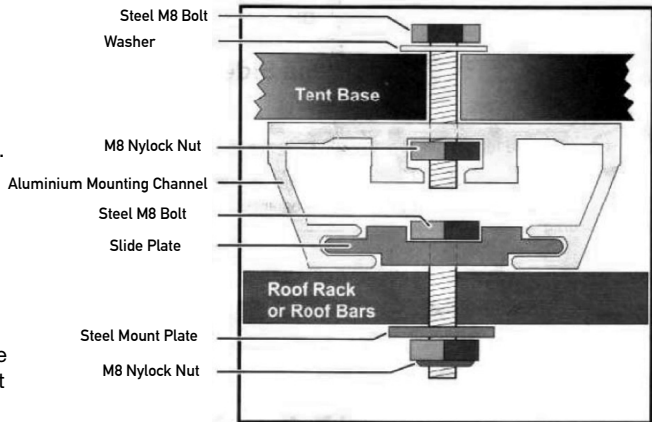


PROLONGED TRAVELLING ON UNEVEN, ROUGH OR CORRUGATED TERRAIN WILL REQUIRE MORE FREQUENT INSPECTIONS

NOTE: Kakadu™ takes no responsibility for the fitment of the roof top tent to any vehicle or roof rack.

MOUNTING TENTS TO ROOF RACK

These brackets have been carefully designed to fit most common roof rack configurations. However, the increasing amount of roof rack designs available in the market makes it difficult to supply a bracket to fit all racks. It is recommended to discuss specific mounting options and load capacities with a roof rack specialist. There may be a chance you need to purchase aftermarket roof top tent mounts from your roof racks manufacturer for customised set ups.



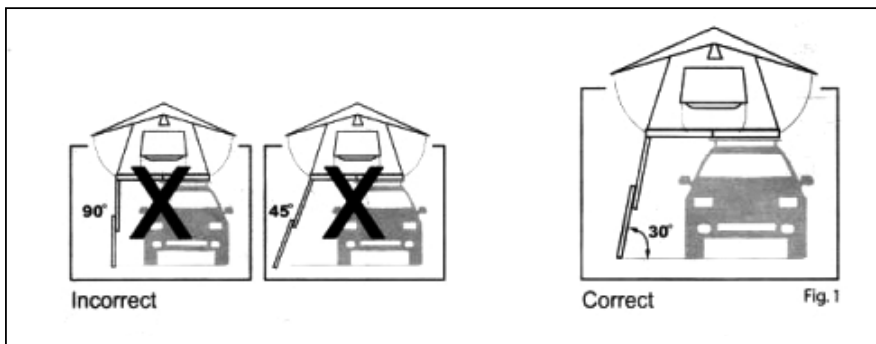
*Note, image is for illustrative purposes only.

USING YOUR LADDER

Do not use the ladder before reading the below points. For your own safety and to avoid any potential injury, ensure that the ladder placement and angle is correct. Review the below diagram showing the correct angle to position the ladder. Failure to do this may result in injury. To achieve the correct angle, you may need to adjust the ladder's length. If this is required, the adjustment must be done from the top of the ladder. Ensure the ladder is fully extended and all rungs are locked into place. Once this is done, press the first set of locking buttons positioned second rung from the top. The ladder will then compress until a gap of approximately 1/2 inch - 3/4in is

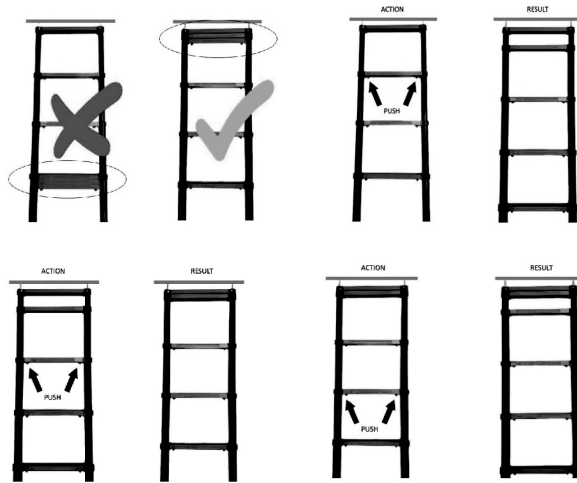
achieved between rung 1 and rung 2. If further shortening is required, press the second set of locking buttons which is positioned on the third rung of the ladder. This will then close the previous gap between rung 1 and rung 2. Swing in the bottom of the ladder until the desired angle is reached. Review the below diagram before using the ladder.

Please note: Review the measurement between where the ladder will sit on your car and the ground before use. If this exceeds 7ft 2.6 inches then you may need to purchase an aftermarket ladder to reach this length.



*Note, image is for illustrative purposes only.

USING YOUR LADDER (CONT)



*Note, image is for illustrative purposes only.

ADJUSTING YOUR ROOF RACK

Make this adjustment before the tent is mounted onto the rack system.

If you wish to secure items to your roof rack with a strap, you will need to remove the roof bars from the current setting and attach them onto the side bars (see below steps and diagrams to assist).

Step one: Remove the four bolts holding the bars onto the metal side extrusion with an allen key.

Step two: Position bars on top of the side extrusion evenly

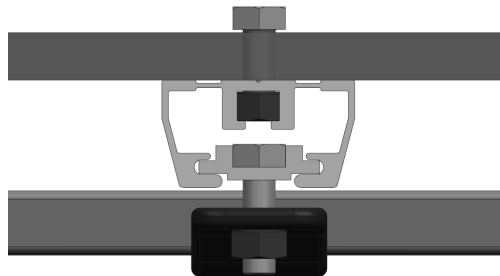
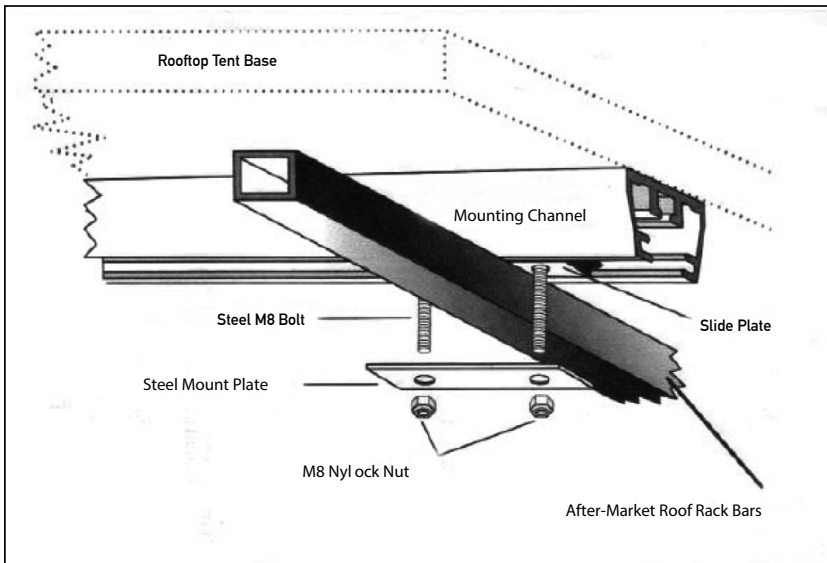
Step three: Fix roof bars to side extrusion securely and firmly.

Step four: Repeat on second set of roof bars.



FITTING THE TENT TO YOUR ROOF RACK

1. Place the roof top tent on top of your roof rack system (minimum 4-6 people).
2. Place the M8 bolts into the slide plates ready for installation into the mounting channels. Slide the plates into positions either side of the roof rack system's bars.
3. Check the position of the roof top tent and ensure that it's in the correct place.
4. Tighten the nylock nuts with the supplied metal plate on all four positions as per the below diagram. Please note: It is important to regularly check all the mounting hardware to ensure they are securely attached to both the base of the tent and the roof rack system.



*Note, image is for illustrative purposes only.

CLEANING

Clean with cold water and a soft bristle brush. Do not use soaps or detergents. Do not expose to petrol, diesel, oils or chemicals of any nature.

Failure to follow these instructions may impact the performance of your roof top tent and cause damage.

STORAGE

If you have to pack your roof top tent up wet - it is essential that the roof top tent is unpacked and allowed to dry fully as soon as possible. Failure to do so will result in damage to the roof top tents fabric, waterproofing and may cause mildew.

Although the cover material itself is waterproof, there is a chance of water ingress from the seals if the rooftop tent isn't stored correctly. We recommend to thoroughly check there is no material left poking out through the seal. Failure to do so may allow water to come in where the tent isn't 100% sealed. This will require extra time to take extra care when packing the tent up.

STRUCTURE

Kakadu™ rooftop tents have been designed for general outdoor use under normal conditions. The tent isn't designed to open when excessive weight still attached to the included roof bars. It is recommended to leave minimal items stored on the tent when setting up and packing down. The roof bars load capacity is based on when the tent is closed and locked.



To avoid chances of personal injury and or property damage, Kakadu™ highly recommends the roof top tents should NOT be erected during windy conditions.

Damage caused by wind and/or adverse weather will not be covered under warranty.

FITTING

Kakadu™ recommends this roof top tent to be installed with minimum 4 people. It is also recommended to use an experienced aftermarket 4X4 accessories fitter to mount

the roof top tent to your rack. All mounting hardware on both the roof top tent and roof rack should be checked regularly to ensure they are always mounted securely.



NOTE: Kakadu™ takes no responsibility for the fitment of the roof top tent to any vehicle or roof rack.

Prolonged travelling on uneven, rough or corrugated terrain will require more frequent inspections.

The brackets have been carefully designed to fit most common roof rack configurations. However, the increasing amount of roof rack designs available in the market makes it difficult to supply a bracket to fit all racks. It is recommended to discuss specific mounting options and load capacities with a roof rack specialist.

WATERPROOFING

The raw materials that have been used on this roof top tent have been designed to withstand most weather events. The water repellent coating and sealed seams provide protection from bad weather. However, wind-driven rain can cause water ingress when windows and doors are open. We recommend to close all windows and doors in the case of bad weather. If you find that water is coming through a zipper, a softened wax stick can be used to rub over that area.

Disclaimer: Any addition applied onto the vehicle's roof changes the loading and handling of the vehicle. Kakadu™ disclaims all responsibility in the occurrence of accidents due to improper use, lack of maintenance and not ensuring the roof top tent has been securely fitted. Kakadu™ shall not be liable for any damages whether they are special, indirect, incidental, accidental or consequential.

SAFETY WARNINGS



KEEP ALL FLAME AND HEAT SOURCES AWAY FROM THE FABRIC.

UNDER NO CIRCUMSTANCES SHOULD ANY NAKED FLAME SOURCES BE USED NEAR THE ROOF TOP TENT.

KEEP CAMP FIRES AWAY FROM THE ROOF TOP TENT.

KEEP A FIRE EXTINGUISHER OR WATER BUCKET NEARBY. WATCH FOR AIRBORNE BURNING EMBERS THAT MAY COME INTO CONTACT WITH THE ROOF TOP TENT OR ANNEX.

KEEP EXITS CLEAR.

IT IS ESSENTIAL TO USE ALL POLES, ROPES AND PEGS AT ALL TIMES WHEN THE TENT IS IN USE.

WATCH FOR GUY ROPES, PEGS AND STRAPS TO PREVENT INJURY AS THEY CAN BE A TRIP HAZARD.

ENSURE CHILDREN ARE SUPERVISED AROUND THE ROOF TOP TENT AT ALL TIMES.

DO NOT OPERATE ANY DEVICE WHICH BURNS FUEL INSIDE THE TENT OR ANNEX.

LIMITED WARRANTY

1. This warranty will apply only if you have purchased from us or our authorized dealer, and will apply only to the original purchaser who acquires the product for his or her own use.
2. **WARRANTY PERIOD:** we warrant that this product will be free from defects in materials and workmanship under normal use as described in the published product documentation for **36 months** and the integrated powerpack for **12 months** from the date of original purchase (Limited Warranty).
3. **WARRANTY:** You are entitled to a replacement or refund for a major failure and compensation for any other reasonably foreseeable loss or damage. You are also entitled to have the goods repaired or replaced if products fail to be of acceptable quality and the failure does not amount to a major failure.
4. To the extent permitted by any applicable local law:
 - a. Our obligations under this Limited Warranty are limited to the repair, replacement or refund of covered parts that prove defective under normal use during the Limited Warranty and does not extend to any claim for damages that you or any other person may have for any loss (including without limitation consequential damages or loss of profit, freight/shipping or travel costs), or damage howsoever caused whether or not such loss or damage arises as a result of any defect in the product or from the failure or omission on our part to comply with any obligation at law;
 - b. In replacing a defective product under the Limited Warranty, we may, at our discretion, substitute a model of equivalent nature where the exact model is unavailable;
 - c. This Limited Warranty does not apply to damage caused by failure and damage caused by improper use and abuse, fair wear and tear, accidents, misuse (including failure to follow instructions regarding care and maintenance of the product), neglect, disassembly, alterations or external causes such as, but not limited to, water damage, exposure to sharp objects, exposure to excessive force, anomalies in the electrical current supplied to the product (if applicable), and extreme thermal or environmental conditions;
 - d. We may elect, at our discretion and as an alternative to repairing or replacing a defective part, to refund the cost of the relevant product upon it being returned to us; and
 - e. This Limited Warranty does not extend to any products acquired for the purposes of re-supply, or for use in manufacturing, or repair processes.
5. This warranty may be claimed by: returning the product to its place of purchase, with a detailed proof-of-purchase clearly showing the date and detail of the purchase;
6. If you have any questions concerning this warranty policy, you may contact us in writing:
Adventure Operations, 71 Charles Ulm Place, Eagle Farm, 4009, QLD, Australia, or by
email: service@adventureoperations.com or visit our website: www.adventureoperations.com

TO THE EXTENT PERMITTED BY LAW, ADVENTURE TRADING AUSTRALIA PTY LTD, ITS SUBSIDIARIES AND ITS VENDORS DISCLAIM ANY IMPLIED WARRANTIES OF MERCHANTABILITY OR FITNESS FOR A PARTICULAR PURPOSE OR ANY SIMILAR STANDARD IMPOSED BY APPLICABLE LEGISLATION AND ADVENTURE TRADING AUSTRALIA PTY LTD AND ITS SUBSIDIARIES' RESPONSIBILITY TO REPAIR, REPLACE, OR OFFER A REFUND FOR DEFECTIVE PRODUCTS IS THE SOLE AND EXCLUSIVE REMEDY PROVIDED TO ITS CUSTOMERS UNDER THIS DOCUMENT.

Designed by:

Adventure Trading Australia Pty Ltd
71 Charles Ulm Place,
Eagle Farm, QLD 4009
AUSTRALIA

Made in China

